



## ALTA® Wireless Differential Pressure Sensors

### General Description

[ALTA® Wireless Differential Pressure Sensors](#) measure the pressure difference between two input ports.

### Key Features

- ▶ Measurement Range: -500 Pa to 500 Pa
- ▶ Accuracy:  $\pm 3\%$  of reading  $\pm 0.1$  Pa
- ▶ Calibrated
- ▶ Temperature compensated
- ▶ Configurable thresholds for critical condition monitoring

### Principles of Operation

The ALTA Wireless Differential Pressure Sensor measures the pressure difference between two input ports based on a user-configurable time interval or Heartbeat. When viewing the sensor from the top, the right inlet port is the positive or high-side pressure input. When the pressure on this port is greater than the pressure on the left port, the sensor produces a positive pressure reading. When the pressure is greater on the left port the sensor produces a negative pressure reading. On each Heartbeat, the current measurement is sent to the gateway, making the data available in iMonnit or another approved data service.

### Example Applications

- ▶ Building/Room Pressure
- ▶ Air Flow
- ▶ Variable Air Volume Filter Status
- ▶ Duct Pressure
- ▶ Clean Rooms
- ▶ Hospitals
- ▶ Fume Hoods
- ▶ Computer Rooms
- ▶ [Additional applications](#)

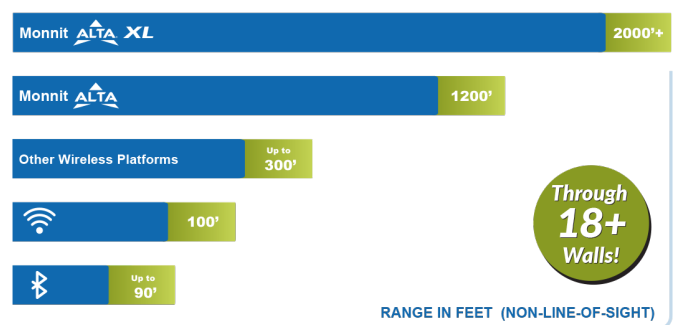
### Features of Monnit ALTA Sensors

- Wireless range of 2,000+ feet through 18+ walls<sup>1</sup>
- Frequency-Hopping Spread Spectrum (FHSS)
- Best-in-class interference immunity
- Best-in-class power management for longer battery life<sup>2</sup>
- Encrypt-RF® Security (Diffie-Hellman Key Exchange + Advanced Encryption Standard (AES)-128 Cipher Block Chaining (CBC) for sensor data messages)
- Sensor logs 2000 to 4000 readings if the gateway connection is lost (non-volatile flash, persists through power cycling):
  - 10-minute Heartbeats = ~ 22 days
  - 2-hour Heartbeats = ~ 266 days
- Automatic over-the-air updates to sensor firmware (future-proof)
- Free iMonnit Basic Online Wireless Sensor Monitoring and Notification System to configure sensors, view data, and send alerts via SMS text, email, and voice call

<sup>1</sup> Actual range may vary depending on the environment and gateway.

<sup>2</sup> Battery life is determined by the sensor reporting frequency and other variables. Other power options are also available.

### Wireless Range Comparison



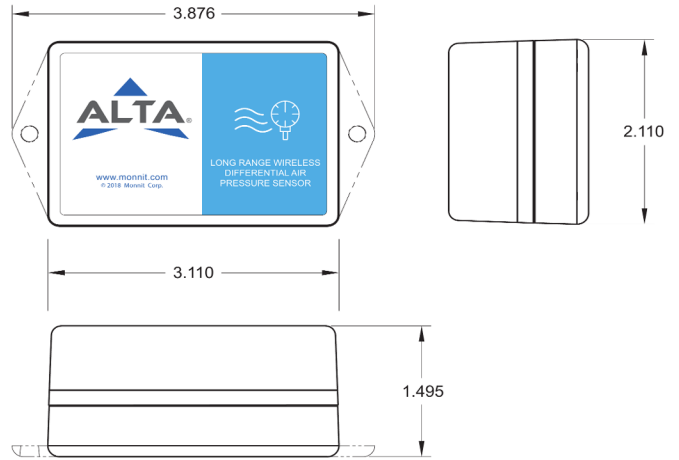
## Technical Specification | ALTA® Wireless Differential Pressure Sensors

|                             |   |  |
|-----------------------------|---|--|
| Differential Pressure Meter | Lead Tubing                                       | 3 ft. (91.5 cm.)<br>3/16" ID x 5/16" OD x 1/16" Wall<br>Non-DEHP & phthalate-free PVC material   |
|                             | Pressure range                                    | -500 Pa to 500 Pa  |
|                             | Allowable over-pressure                           | 100 kPa  |
|                             | Rated burst pressure                              | 500 kPa  |
|                             | Max humidity for long-term exposure               | 40°C (104°F) dew point   |
|                             | Accuracy  | 3% of reading +/- 0.1 Pa   |
|                             | Span repeatability                                | 0.5% of reading  |
|                             | Span shift due to temperature variation           | < 0.5% of reading per 10°C (18°F)  |
|                             | Offset stability                                  | < 0.05 Pa/year   |
|                             | Calibrated for                                    | Air, N2  |
|                             | Media compatibility                               | Air, N2, O2, non-condensing  |
|                             | Temperature measurement range                     | -40°C to 85°C (-40°F to 185°F)   |
|                             | Calibrated temperature measurement range          | -20°C to 85°C (-4°F to 185°F)  |
|                             | Temperature resolution                            | 0.1°C (0.18°F)   |
|                             | Temperature accuracy                              | +/- 2°C (-10°C to 60°C), +/- 3°C (-40°C to 85°C)<br>+/- 3.6°F (14°F to 140°F), +/- 5.4°F (-40°F to 185°F)  |
| Temperature repeatability   | +/- 0.1°C (+/- 0.18°F)                            |  |
| ALTA Wireless               | Data logging                                      | Sensor logs 2000 to 4000 readings if gateway connection is lost (non-volatile flash, persists through power cycling): 10-minute Heartbeats = ~22 days - 2-hour Heartbeats = ~266 days  |
|                             | Wireless protocol                                 | ALTA Proprietary Frequency-Hopping Spread Spectrum (FHSS)  |
|                             | Wireless transmission power (EIRP)                | 50 mW (900MHz), 25 mW (868 MHz), 10 mW (433 MHz)   |
|                             | Wireless range                                    | 2,000+ ft. through 18+ walls with the ALTA XL® Gateway   |
|                             | Security  | Encrypt-RF® (256-bit key exchange and AES-128 CTR)   |
| General                     | Battery voltage range                             | 2.0 to 3.8 VDC   |
|                             | Operating altitude (non-pressurized environments) | -15.2 to 1,982 m (-50 to 6,500 ft) <sup>1</sup>  |
|                             | Storage altitude (non-pressurized environments)   | -15.2 to 3,048 m (-50 to 10,000 ft) <sup>1</sup>   |
|                             | Operating humidity                                | 5 to 85% RH (non-condensing)   |
|                             | Certifications                                    | 900 MHz sensors: <b>FCC ID: ZTL-G2SC1</b> and <b>IC: 9794A-G2SC1</b> .<br>868 and 433 MHz sensors tested and comply with: <b>EN 55032: 2015/A11:2020</b> ; <b>EN 55035:2017/A11:2020</b> ; <b>ETSI EN 300 220 V3.2.1 (2018-06)</b> ; <b>ETSI EN 301 489-3 V2.2.0. (2021-11)</b> ; and <b>ETSI EN 303 645</b> . All sensors tested and comply with: <b>EN 61010-1</b> and <b>EN 60950</b> and meet <b>RoHS 2015/863</b> and <b>REACH 224 (June 2022)</b> , according to <b>IEC 63000:2016/AMD1:2022</b> . |



1. Operating and storage altitude without DC power supply is -30.48 to 9144 m (-100 to 30000 ft).

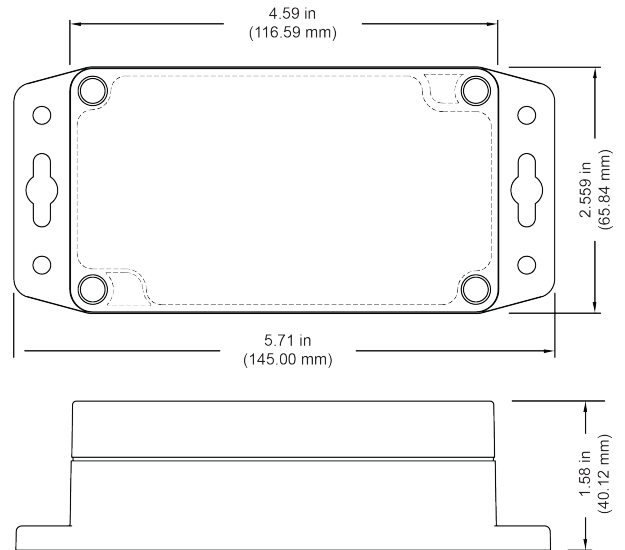
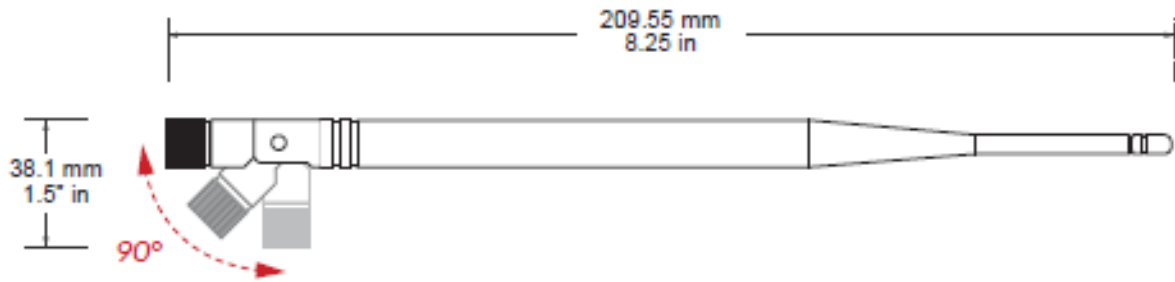
The sensor reports the pressure difference between the two input ports



### Technical Specifications | ALTA® Enterprise Differential Pressure Sensor

|   |   |
|---|---|
| Battery <sup>1</sup>  | 2x 1.5V AA Alkaline, 1500 mAh, (standard)<br>2x 1.5V AA Lithium, 3000 mAh, (optional)   |
| Battery Life  | 10+ years expected  |
| External line-power option <sup>2</sup>                                 | Input voltage: 5.0-12.0 V<br>Power jack: 2.1 x 5.5 mm barrel, center positive   |
| Operating temperature range (non-leaded measurement range) <sup>3</sup> | -18°C to 55°C (0°F to 130°F) - AA Alkaline Batteries<br>-25°C to 60°C (-13°F to 140°F) - AA Lithium L91 Batteries<br>0°C to 40°C (32°F to 104°F) - US 5V Power Supply<br>10°C to 40°C (50°F to 104°F) - International 5V Power Supply |
| Wireless antenna type   | 1/4-wave, 20 gauge wire whip, 3.5" (900/868MHz), 7" (433MHz)  |
| Weight  | 3.7 oz. (105 g)   |

1. Hardware cannot withstand negative voltage. Please take care when inserting and removing batteries.
2. Batteries will provide backup power in the case the external power is removed.
3. Operating below 0°C (-32°F) degrees will reduce battery life.



| Technical Specifications   ALTA® Industrial Differential Pressure Sensor |   |
|--|---|
| Battery  | 1x 3.6V AA Lithium Thionyl Chloride, 1500mAh, pre-installed   |
| Battery Life   | 10+ years expected  |
| Operating temperature range (non-leaded measurement range) <sup>1</sup>  | -40°C to 85°C (-40°F to 185°F)  |
| Wireless antenna type  | 1/2-wave waterproof dipole with RP-SMA connector and swivel neck; dBi of 3.0 (900/868MHz) or 2.5 (433 MHz); length of 8.27" (210mm) (900/868MHz) or 7.68" (195mm) (433 MHz); diameter at thickest point of 0.55" (14mm) |
| Weight   | 4.7 oz. (133 g)   |
| Enclosure rating   | IP-65 (dust-proof and waterproof but not submersible)<br>NEMA 1, 2, 4, 4x, 12, and 13 rated, sealed, and weatherproof<br>UL Listed to UL508-4x specifications (File E194432)  |

1. Operating below 0°C (-32°F) degrees will reduce battery life.

## Commercial-Grade Sensors

Monnit commercial-grade sensors are designed for applications in ordinary environments (normal room temperature, humidity, and atmospheric pressure). Do not use these sensors under the following conditions, as these factors can deteriorate the product characteristics and cause failures and burnout.

- Corrosive gas or deoxidizing gas: chlorine gas, hydrogen sulfide gas, ammonia gas, sulfuric acid gas, nitric oxide gas, etc.
- Volatile or flammable gas
- Dusty conditions
- Low-pressure or high-pressure environments
- Wet or excessively humid locations
- Places with salt water, oils, chemical liquids, or organic solvents
- Where there are excessively strong vibrations
- Other places where similar hazardous conditions exist

Use these products within the specified temperature range. Higher temperatures may cause deterioration of the characteristics or the material quality.

## Industrial-Grade Sensors | Type 1, 2, 4, 4X, 12, and 13 NEMA-Rated Enclosure

Monnit's industrial sensors are enclosed in reliable, weatherproof NEMA-rated enclosures. Our NEMA-rated enclosures are constructed for indoor and outdoor use and protect the sensor circuitry against the ingress of solid foreign objects like dust and the damaging effects of water.

- Safe from falling dirt
- Protects against wind-blown dust
- Protects against rain, sleet, snow, splashing water, and hose-directed water
- Increased level of corrosion resistance
- Will remain undamaged by ice formation on the enclosure



**Monnit Corporation**

3400 South West Temple • Salt Lake City, UT 84115 • 801-561-5555  
www.monnit.com